

## Non-destructive test for sanitary masks

COVID19 pandemic has increased the demand for general-use masks, boosting the supply of masks. CSIC has developed a test that can fastly and efficiently ensure the quality of the product, allowing a level of production that meets the growing demand, maintaining the level of quality in accordance with the importance of masks for containing the COVID-19 epidemic.

Industrial manufacturers of masks are being sought to collaborate through a patent licence agreement.

### *An offer for Patent Licensing*

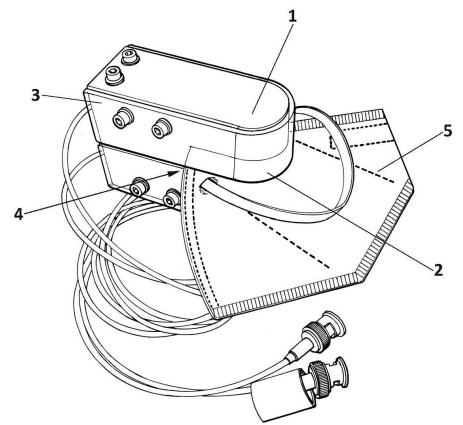
#### Fast and non-destructive ultrasonic test for face masks

Invention presents a device and an indirect method for the characterization of masks, their classification and the determination of any alteration of the mask that may modify their expected behavior.

The method of the invention allows a fast and simple ultrasonic test to be carried out for quality control in the manufacture of masks or as a rapid test to study changes in the efficiency of masks with use or after a treatment, such as disinfection.

Both, device and method, can be used for complete masks or on the layers that compose it (manufacturing process). One of its main characteristics is that it allows a fast measurement, without contact, non-destructive and compatible with industrial environments that would allow testing 100% of production in real time.

The design allows to verify the efficiency, filtration and breathability properties of the mask after a certain number of hours, or after exposure to certain environmental conditions or after a certain number of disinfection phases.



Scheme of realization in full mask

#### Main innovations and advantages

Fast and non-destructive method that allows:

- Fast check filtration efficiency
- Verify the integrity of the disinfection methods
- Optimize the use of materials

#### Patent Status

Spanish patent application with the possibility of priority extension.

#### For more information, please contact:

Abel Díaz Plaza

Deputy Vice-Presidency for  
Knowledge Transfer

Spanish National Research Council  
(CSIC)

Tel.: +34 915681521

E-mail: [abel.diaz@csic.es](mailto:abel.diaz@csic.es)

[comercializacion@csic.es](mailto:comercializacion@csic.es)